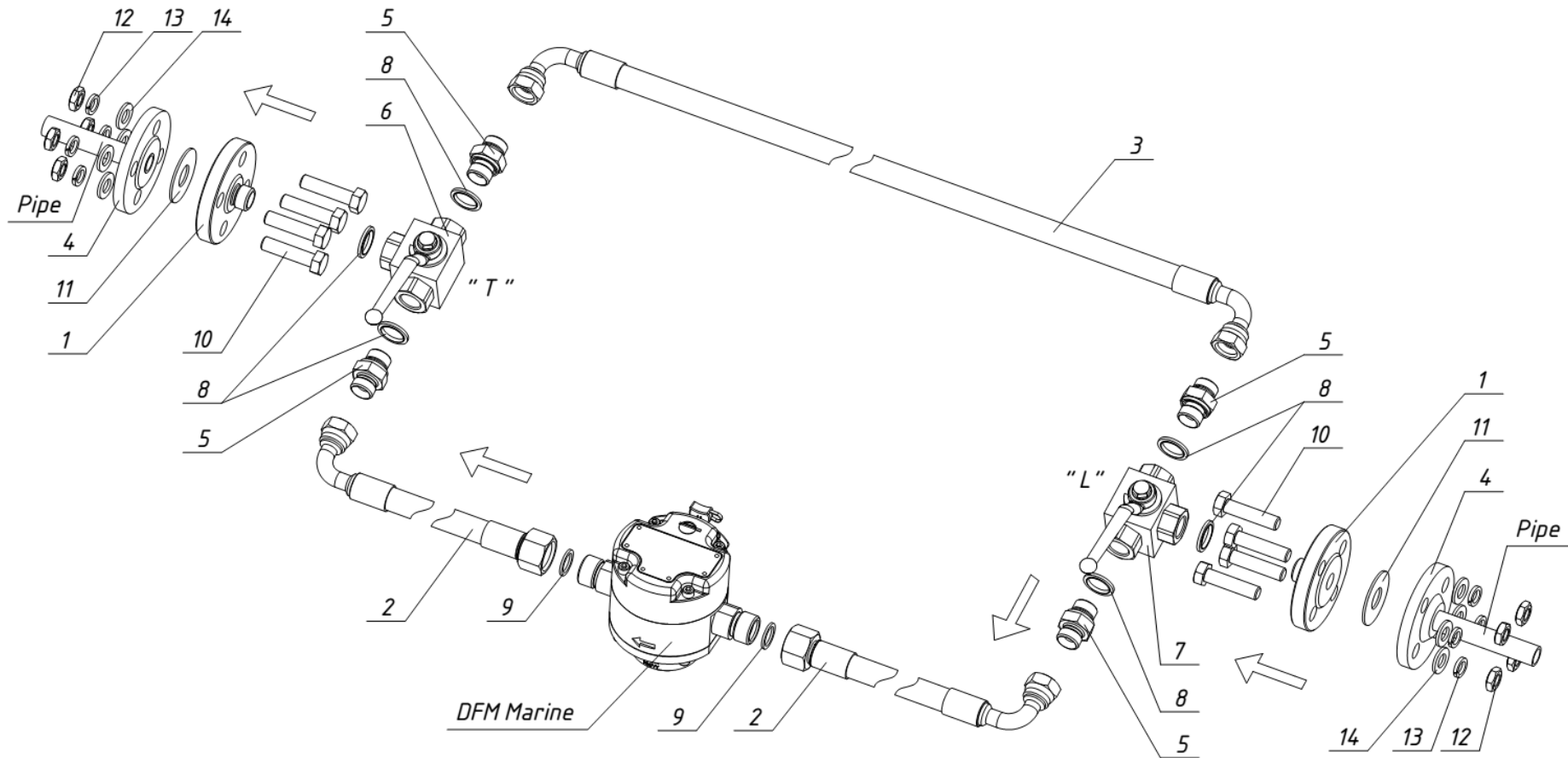




Mounting kit



Contents:

- 1. Screwed flange**
- 2. Hose 0-90**
- 3. Hose 90-90**
- 4. Welded flange**
- 5. Adapter**
- 6. Ball valve T**
- 7. Ball valve L**

- 2 pcs.
- 2 pcs.
- 1 pcs.
- 2 pcs.
- 4 pcs.
- 1 pcs.
- 1 pcs.

- 8. Self-packing ring**
- 9. Gasket**
- 10. Bolt M12x50**
- 11. Gasket**
- 12. Nut M12**
- 13. Split washer**
- 14. Washer**

- 6 pcs.
- 2 pcs.
- 8 pcs.
- 2 pcs.
- 8 pcs.
- 8 pcs.
- 8 pcs..